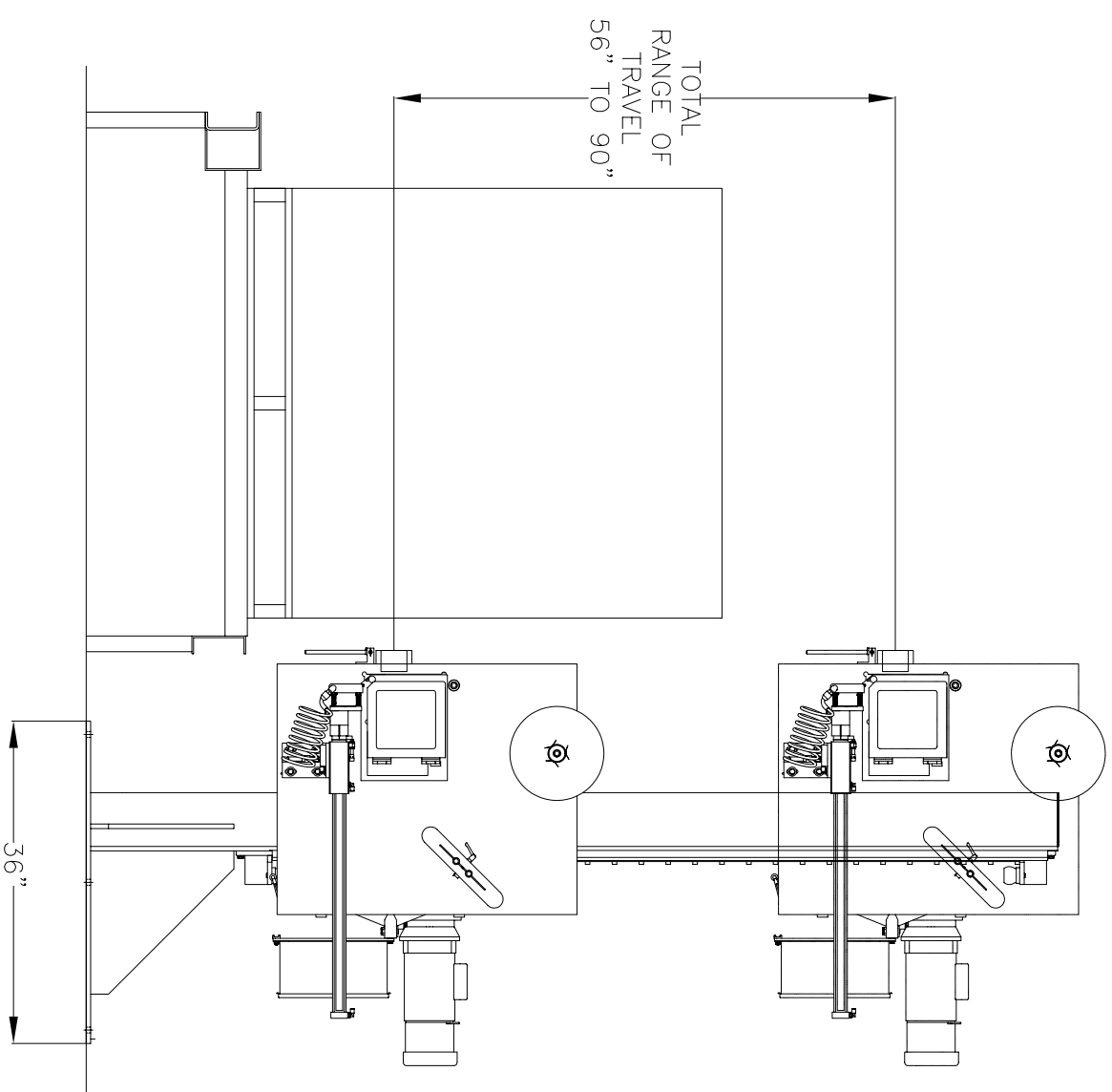
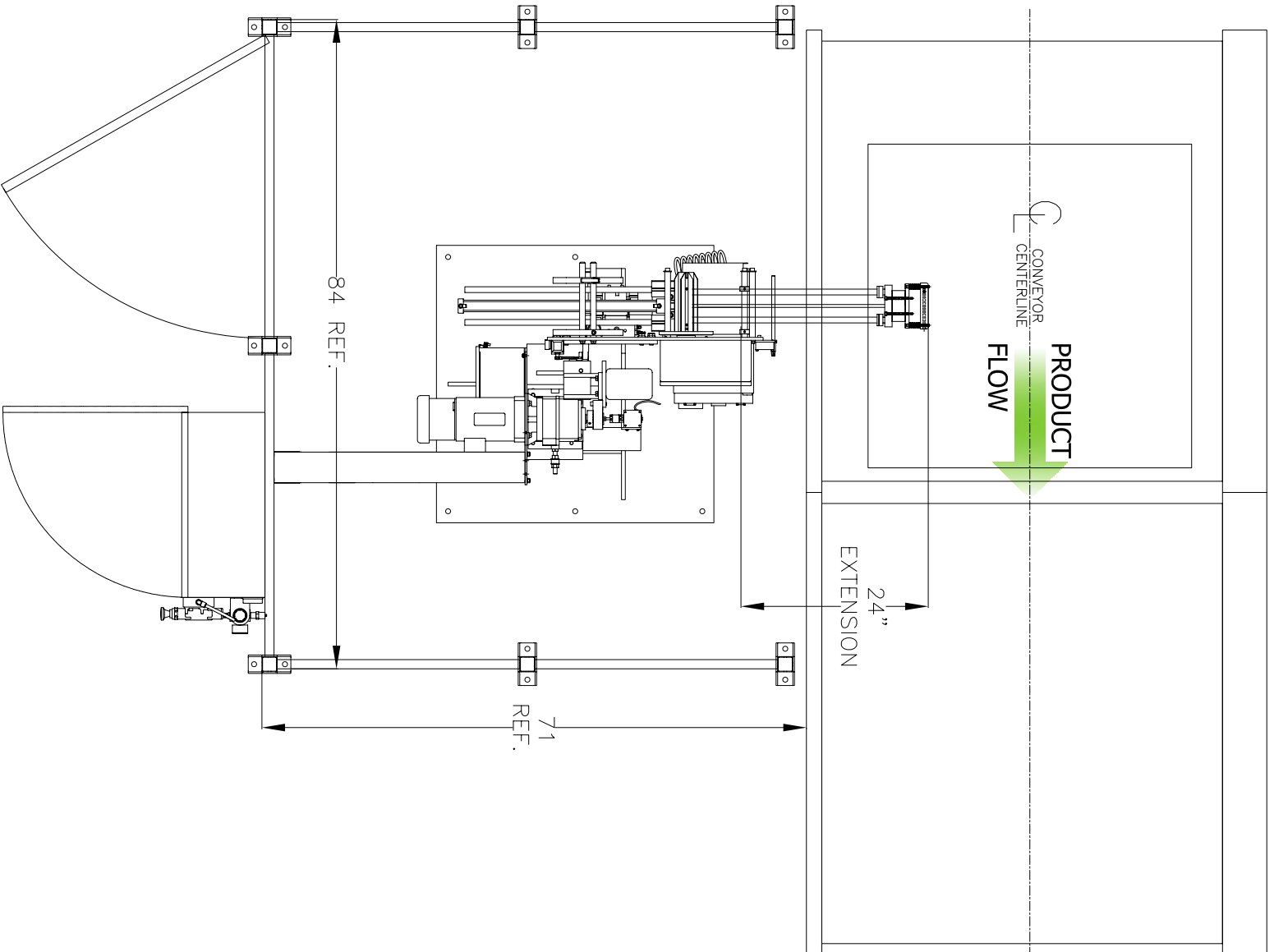


0101



TOTAL
RANGE OF
TRAVEL
56" TO 90"

REVISIONS

NO.	DESCRIPTION
1	

ACAD 2000



PROPERTY OF KOLINAHR - IMPORTANT!
THIS DRAWING PRINT IS LOANED FOR MUTUAL ASSISTANCE AND SUBJECT TO BE CALLED AT ANY TIME. INFORMATION CONTAINED HEREIN IS NOT TO BE DISCLOSED OR REPRODUCED IN ANY FORM FOR THE BENEFIT OF PARTIES OTHER THAN NECESSARY SUBCONTRACTORS AND SUPPLIERS WITHOUT WRITTEN CONSENT OF KOLINAHR SYSTEMS.

DRAWN BY: **MWS** DATE: **6-14-11**
CHECKED BY: DATE:

DIMENSION DRAWING
SA1010 LABELER
SCALE: **THIRD ANGLE PROJECTION**

SHEET NUMBER: **1** OF **1** DRAWING NUMBER: **1010 - 0**
REV. **0**
ALL DIMENSIONS IN INCHES UNLESS OTHERWISE NOTED